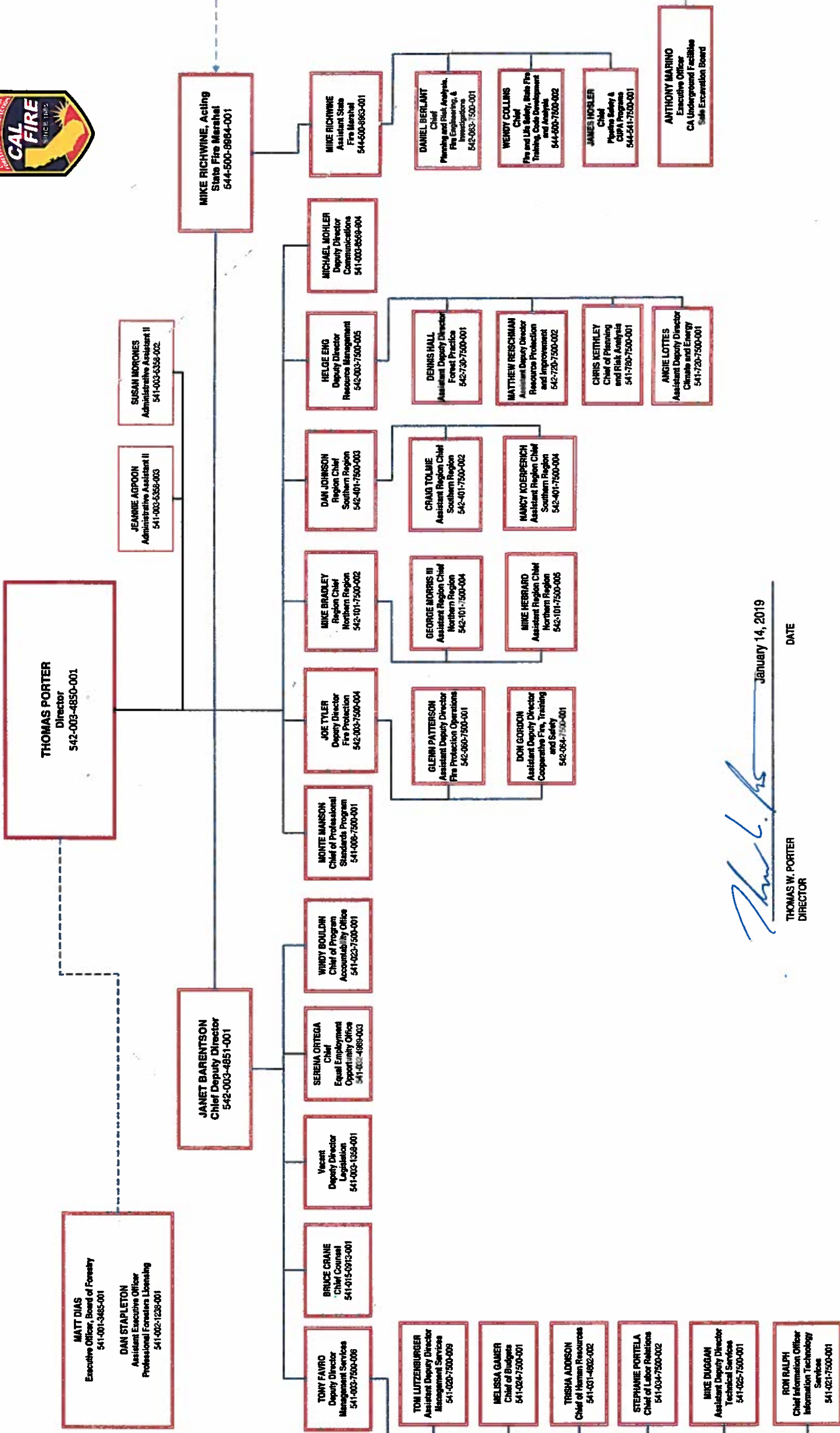


**State of California**  
**Natural Resources Agency**  
**California Department of Forestry and Fire Protection (CAL FIRE)**



*Thomas W. Porter*  
 THOMAS W. PORTER  
 DIRECTOR  
 January 14, 2019  
 DATE